



FEATURES

- USB 2.0 Communication Link
- USB Bus-Powered (5V)
- Integrated Shunt Cal
- Streaming ASCII Output
- Input/Output Short Circuit Protection

SPECIFICATIONS

GENERAL

Item Number	FSH03456
Sampling Rate	Up to 4800 SPS
Bandwidth (Hz)	Sampling Rate (SPS) / 4
Internal Resolution	24 bits
Resolution (Noise Free)	See Chart
Non-Linearity (max)	±0.005% of FSR
Input	Non-amplified (mV/V) Analog Voltage
Output	Digital Packetized Data
Integrated Digital Filter	50 Hz/60 Hz Rejection (100 dB)
On Chip Memory	1 Kilobyte
Stored Calibration	Up to 16 Points
Weight	approx. 10 g

STRAIN GAUGE mV/V INPUT

Bridge Excitation	4.5 VDC
Standard Input Range	± 3.4 mV/V (factory default)
Optional Input Range	Up to ± 400 mV/V
Min. Bridge Resistance	50 Ohm
Max. Bridge Resistance	5000 Ohm

CONNECTORS

Sensor Connector	Hirose LX40-12P
Mating Connector	Hirose LX60-12S
USB 2.0 Connector	Type A Plug

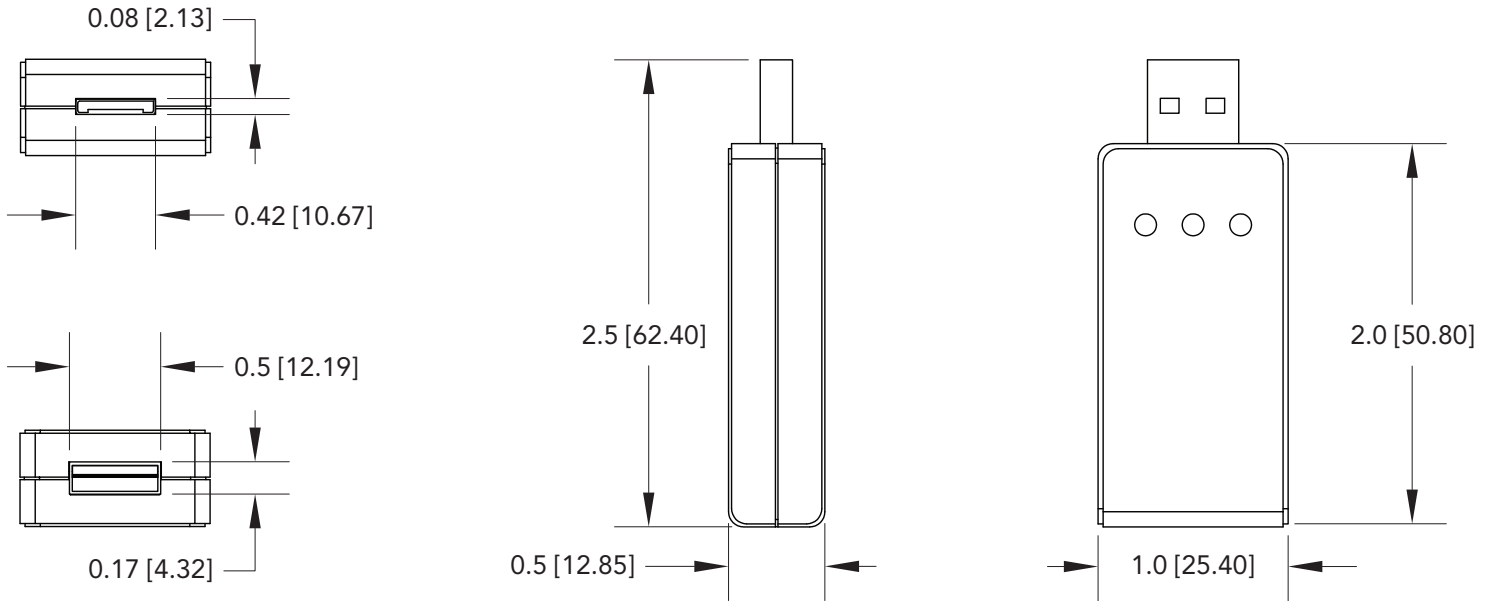
ENVIRONMENT

Operating Temperature	-13°F to 185°F [-25°C to 85°C]
Storage Temperature	-40°F to 257°F [-40°C to 125°C]
Temperature coefficient factor	10 ppm

CONFORMITY

RoHS	2011/65/EU
CE	EN 61326-1:2006

DIMENSIONS inches [mm]



LED INDICATORS

Blinking blue (10 Hz)	Module Auto-Calibration
Blinking blue (1 Hz)	Module Normal Operation
Green	USB Power
Red	USB Data Link

SAMPLING RATE

SAMPLES PER SECOND (SPS)	mV/V RESOLUTION
5	18.1
50	17.4
100	16.6
300	15.7
1200	14.8
2400	14.2
4800	13.9

ACCESSORIES

- FUTEK's SENSIT™ Software (FSH03189)**
 14 Day Trial - Available to download on FUTEK website. A license is required, per seat, after 14 days to benefit the features such as data logging, graphing, etc. Trial version turns into basic read-out ONLY after 14 days and a product key is required to enable the features.

Drawing Number: FI1387

FUTEK reserves the right to modify its design and specifications without notice. Please visit <http://www.futek.com/salesterms> for complete terms and conditions.

10 Thomas, Irvine, CA 92618 USA

Tel: (949) 465-0900

Fax: (949) 465-0905

www.futek.com



U.S. Manufacturer