

LCA 5 – 10

- Designed for compression and tension measurements
- Predisposed to lateral loads withstand
- Excellent linearity and precision
- Overload capability greater than 300%
- Watertight protection for use in harsh environments
- Stainless steel AISI 17-4PH
- Robust MIL connector
- TEDS as option
- Compatible with AA5 and AA10
- Accessories as base plate, calotte and cable available



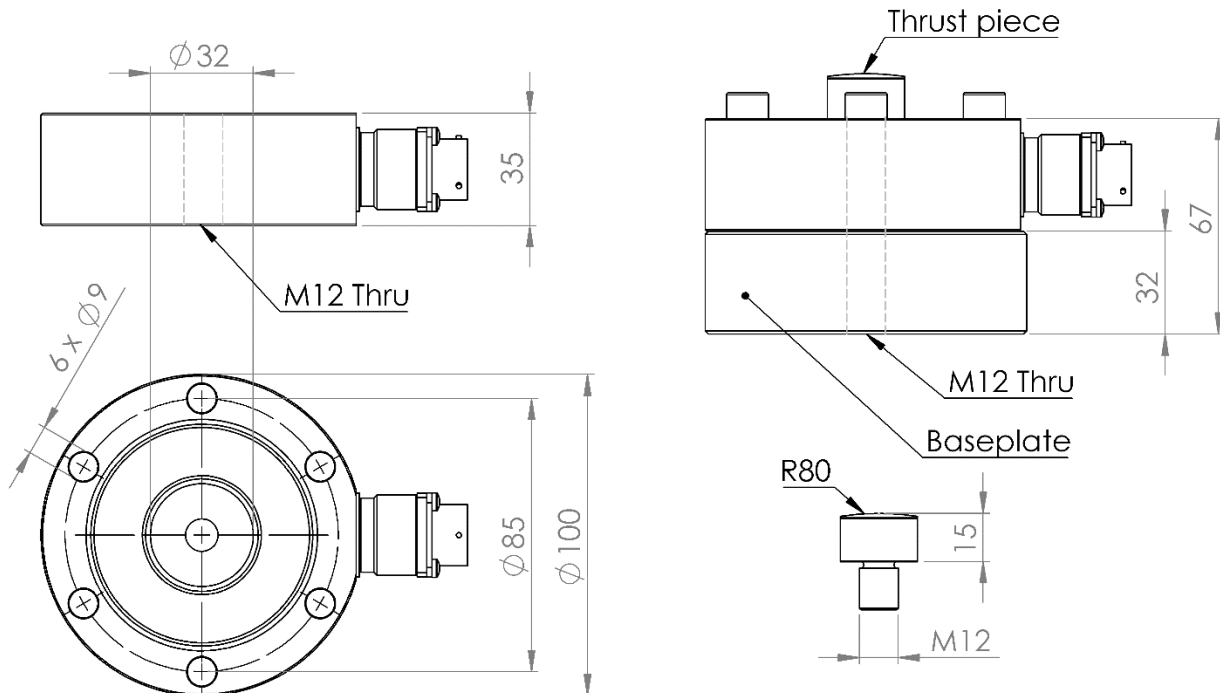
Technical Characteristics

Rated load (R.L.):	5kN and 10kN
Error, tension or compression	0.05% of R.O
Combined error, tension and compression	±0.05% (0.1%) of R.O.
Repeatability:	±0.04% of R.O.
Creep (20 minutes):	±0.02% of R.L.
Safe overload:	150% of R.L.
Ultimate overload:	> 300% of R.L.
Recommended input:	2÷15 Vdc/Vac
Input resistance:	700 ±20 Ohm
Output resistance:	700 ±5 Ohm
Insulation resistance	> 5000 M Ohm
Rated output (R.O.):	2.0 mV/V ±0.1 %
Zero balance:	< ±1.5% of R.O.
Temperature range:	-20 ÷ +70 °C
Compensated temperature range:	-10 ÷ +50 °C
Temp. effect (-10° to +50°C) on zero balance:	< ±0.005% of R.O./°C
Temp. effect (-10°C to +50°C) on output:	< ±0.005% on output/°C
Max load deflection:	0.2 mm
Degree of protection:	IP65
Material:	AISI 17-4PH stainless steel
Electrical connection:	6 wires - with sense
Connector:	MIL-PT-02E-12-8P (MS3112E12-8P)

Order Information

Article no:	Type:
01-61005	LCA-5 Capacity 5kN
01-61010	LCA-10 Capacity 10kN

Dimensions



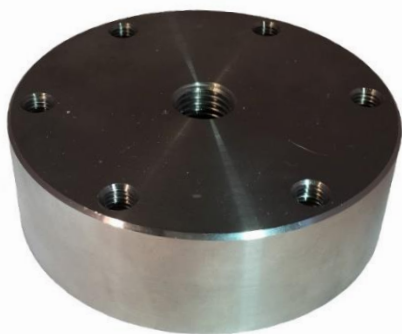
Also available as 3D drawing, please contact us for further information.

Accessories



Article no: 01-65103

Cable, PVC, 3m with free soldered ends and socket, MS3116F-12-8S



Article no: 01-61901

Baseplate BP5/10 M12



Article no: 01-61905

Thrust piece/Load button LB5/10 M12

Loadcell.
See order information
for art.no.



OUTPUTS

SGA/A
Analog signal
conditioner
w/ 3m cable
Art.no: 01-66105



Selectable output
0-5V, 0-10V
0-20mA, /-20mA
±5V or ±10V

Cable 3m PVC 6 x 0,14mm²
MS3116 - free soldered ends
Art.no: 01-65103



T24-ACmi
Wireless transmitter
w/ 0.5m cable
Art.no: 01-66110

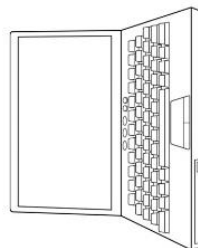


DISPLAYS

PSD
Handheld display
w/ 3m cable
Art.no: 01-66100



T24-BSd
Wireless USB Dongle
Art.no: 01-66115



T24-HS
Wireless
handheld display
Art.no: 01-66120

