

FUTEK MODEL LRF400 (L2338) TENSION AND COMPRESSION IN LINE LOAD CELL

W/ OVERLOAD PROTECTION

Drawing Number: FI1040-C

INCH [mm] | R.O.= Rated Output

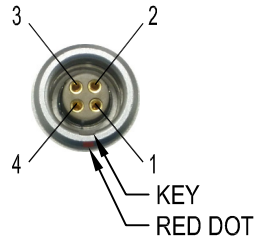
CONNECTOR CODE (CC4)

+Excitation	-Excitation	+Signal	-Signal
PIN 1	PIN 4	PIN 2	PIN 3

CABLE WIRING CODE (WC1)

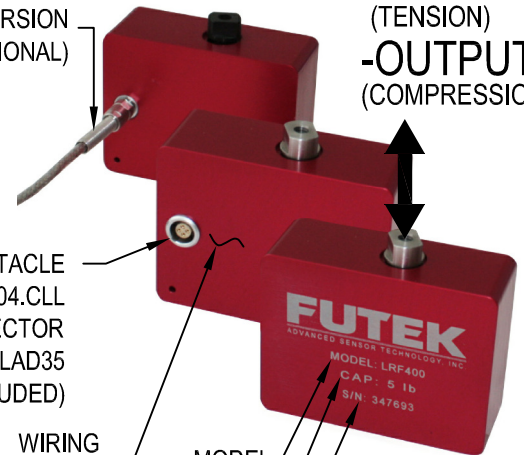
+Excitation	-Excitation	+Signal	-Signal
RED	BLACK	GREEN	WHITE

Shield
FLOATING



CABLE VERSION (OPTIONAL)

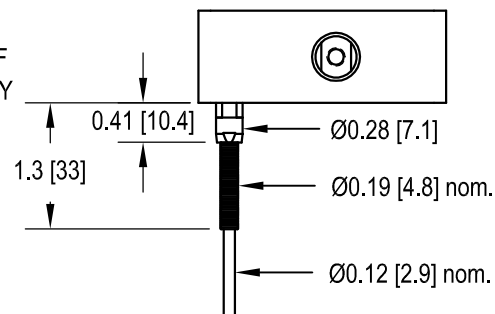
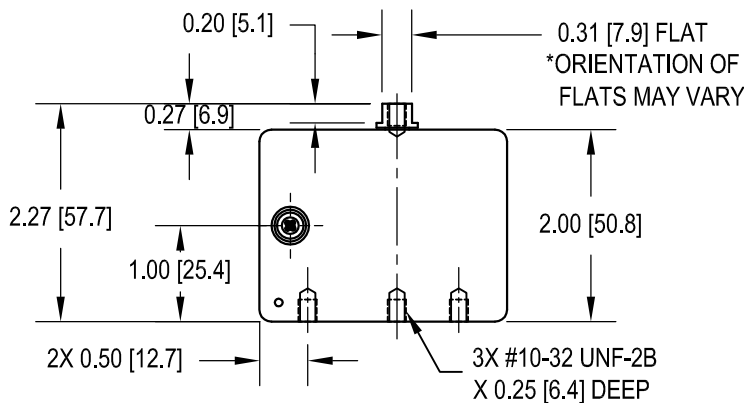
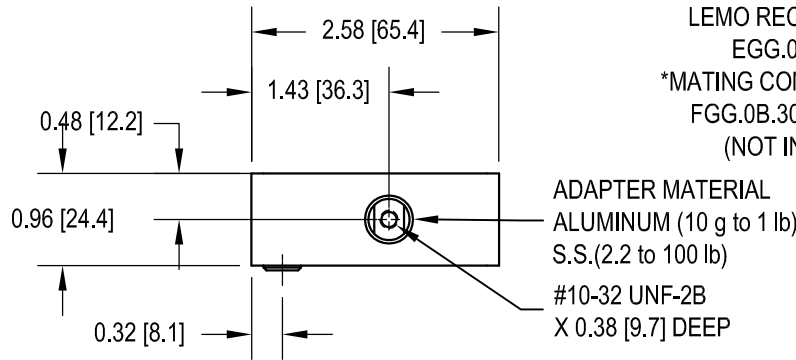
+OUTPUT (TENSION)
-OUTPUT (COMPRESSION)



LEMO RECEPTACLE
EGG.0B.304.CLL
*MATING CONNECTOR
FGG.0B.304.CLAD35
(NOT INCLUDED)

WIRING
CODE
LABEL

MODEL
CAPACITY
SERIAL#



SPECIFICATIONS:

RATED OUTPUT 2 mV/V nom., 1 mV/V nom. (10 g)
ZERO BALANCE ** ±1% of R.O. (10 to 100 lb), ±3% of R.O. (10 g to 5 lb)
EXCITATION (VDC OR VAC) 18 max., 5 max (10 g)
BRIDGE RESISTANCE 1000 Ω nom.
NONLINEARITY ±0.05% of R.O., ±0.1% of R.O. (10 g)
HYSTERESIS ±0.05% of R.O., ±0.1% of R.O. (10 g)
NONREPEATABILITY ±0.05% of R.O., ±0.1% of R.O. (10 g)
CREEP ±0.05% of LOAD, ±0.2% of LOAD (10 g)
TEMP. SHIFT ZERO ±0.005% of R.O./°F [0.01% of R.O./°C]
TEMP. SHIFT SPAN ±0.005% of LOAD/°F [0.01% of LOAD/°C]
COMPENSATED TEMP. 60 to 160°F [15 to 72°C]
OPERATING TEMP. -60 to 200°F [-50 to 93°C]
WEIGHT 5 oz [140 g]
DEFLECTION 0.003 to 0.011 [0.07 to 0.28] nom.
CONNECTOR: 4 Pin LEMO Receptacle (EGG.0B.304.CLL)
CABLE: #28 AWG, 4 CONDUCTOR BRAIDED SHIELDED PVC CABLE, 10 ft [3 m] (OPTIONAL)
ACCESSORIES AND RELATED INSTRUMENTS AVAILABLE
CALIBRATION (STD) 5 pt COMPRESSION; 150K Ω SHUNT CAL. VALUE
CALIBRATION (AVAILABLE) TENSION
CALIBRATION TEST EXCITATION 10 VDC, 5 VDC (10g)
**** ZERO BALANCE BASED ON SENSOR ORIENTED W/ S/N: FACING DOWN.**
MATERIAL ALUMINUM, RED ANODIZE (HOUSING) AFTER S/N:347692

ITEM #	Capacity (lb)	Capacity (N)	Safe Overload (lb)
FSH01570	10 g	0.1	5
FSH00259	0.25	1.1	50
FSH00260	0.50	2.2	50
FSH00261	1	4.5	50
FSH00262	2.2	9.8	250
FSH00263	5	22.2	250
FSH00264	10	44.5	250
FSH00265	25	111	250
FSH00266	50	222	250
FSH00267	100	445	250

FUTEK
ADVANCED SENSOR TECHNOLOGY, INC.

This drawing is submitted solely for the information and exclusive use of the original addressee. It is not to be divulged in whole or in part, by any firm or individual without written permission from FUTEK

10 THOMAS
IRVINE, CA 92618 USA
1-800-23-FUTEK (38835)

INTERNET:
<http://www.futek.com>