



### FEATURES

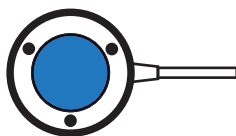
- Ultra low deflection
- Robust strain relief
- 17-4 PH stainless-steel construction
- For use in compression
- Utilizes metal foil strain gauge technology
- Adheres to RoHS directive 2011/65/EU

 Non-loading surface, do not contact

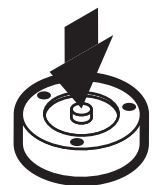
 Active End



Top view



Bottom view



+ Output (compression)

### SPECIFICATIONS

#### PERFORMANCE

Nonlinearity	See chart on next page
Hysteresis	See chart on next page
Nonrepeatability	±0.05% of RO

#### ELECTRICAL

Rated Output (RO)	2 mV/V nom (100 to 2000 lb), 2.5 mV/V nom (2500 lb)
Excitation (VDC or VAC)	18 max
Bridge Resistance	740 Ohm nom
Insulation Resistance	≥500 MOhm @ 50 VDC
Connection	#26 AWG, 4 conductor, braided shielded Teflon cable 10 ft [3 m] long
Wiring/Connector Code	WC1

#### MECHANICAL

Weight (approximate)	3.7 oz [102 g]
Safe Overload	150% of RO
Deflection	0.001 in [0.025 mm] nom
Material	17-4PH stainless-steel
IP Rating	IP64

#### TEMPERATURE

Operating Temperature	-60 to 200°F [-50 to 93°C]
Compensated Temperature	60 to 160°F [15 to 72°C]
Temperature Shift Zero	±0.01% of RO/°F [0.018% of RO/°C]
Temperature Shift Span	±0.02% of LOAD/°F [0.036% of LOAD/°C]

#### CALIBRATION

Calibration Test Excitation	10 VDC
Calibration (standard)	5-pt Compression
Shunt Calibration Value	100 kOhm, 87.325 kOhm (2500 lb)

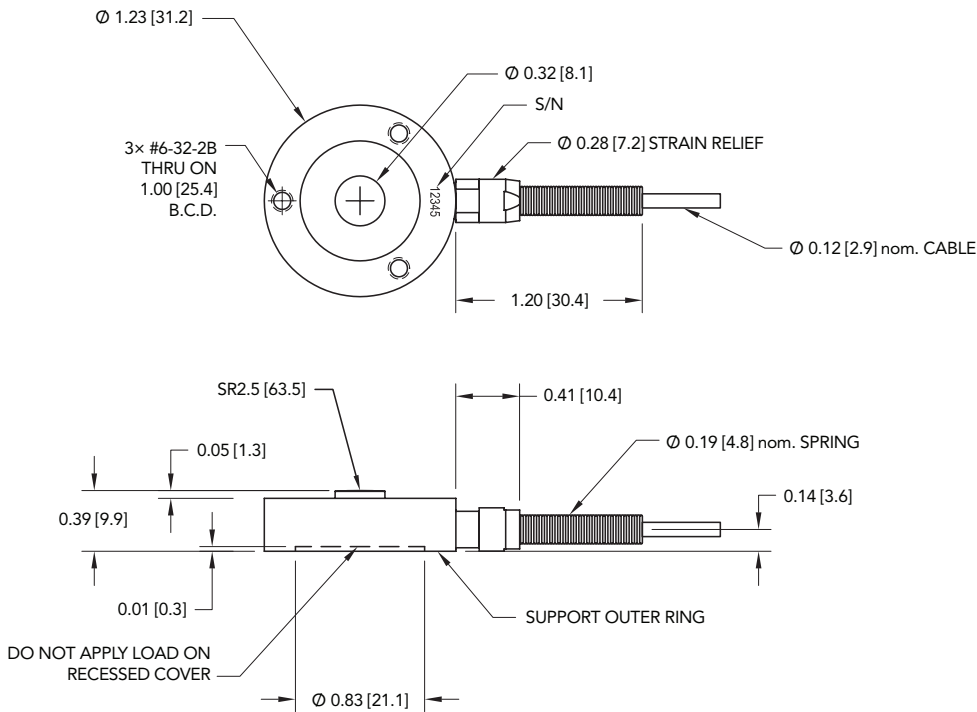
#### CONFORMITY

RoHS	2011/65/EU
CE	EN55011:2009; EN61326-1:2006

**CAPACITIES**

ITEM #	lb.	N	NONLINEARITY % OF RO	HYSTERESIS % OF RO	NATURAL FREQUENCY (kHz)
FSH03889	100	445	±0.15	±0.15	12.3
FSH03890	250	1112	±0.15	±0.15	18
FSH03891	500	2224	±0.25	±0.25	24
FSH03892	1000	4448	±0.25	±0.25	29.9
FSH03893	2000	8896	±0.35	±0.35	30.7
FSH03894	2500	11120	±0.50	±0.50	31.8

**DIMENSIONS inches [mm]**



**WIRING CODE (WC1)**

RED	+ EXCITATION
BLACK	- EXCITATION
GREEN	+ SIGNAL
WHITE	- SIGNAL
SHIELD	FLOATING



Drawing Number: F11055-F

FUTEK reserves the right to modify its design and specifications without notice. Please visit [www.futek.com/salesterms](http://www.futek.com/salesterms) for complete terms and conditions.

10 Thomas, Irvine, CA 92618 USA

Tel: (949) 465-0900

Fax: (949) 465-0905

[www.futek.com](http://www.futek.com)



RoHS



U.S. Manufacturer