

FUTEK MODEL TFF400

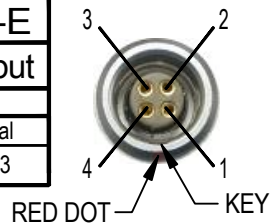
FLANGE TO FLANGE REACTION TORQUE SENSOR WITH THRU HOLE CENTER

Drawing Number: FI1251-E

INCH [mm] | R.O. = Rated Output

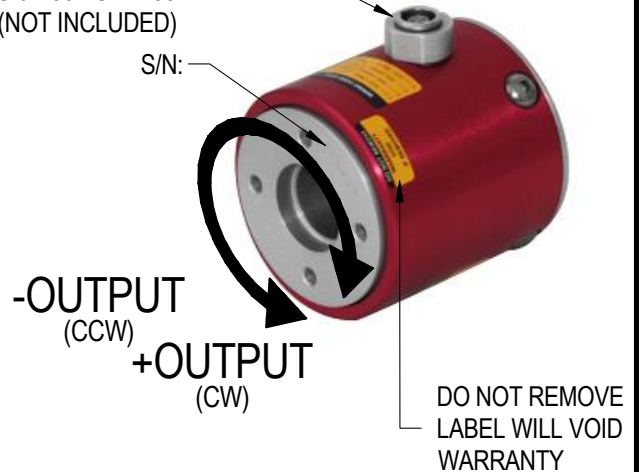
WIRING CODE (CC4)

| | | | |
|-------------|-------------|---------|---------|
| +Excitation | -Excitation | +Signal | -Signal |
| PIN 1 | PIN 4 | PIN 2 | PIN 3 |

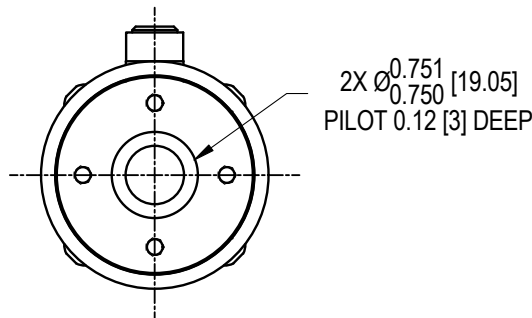
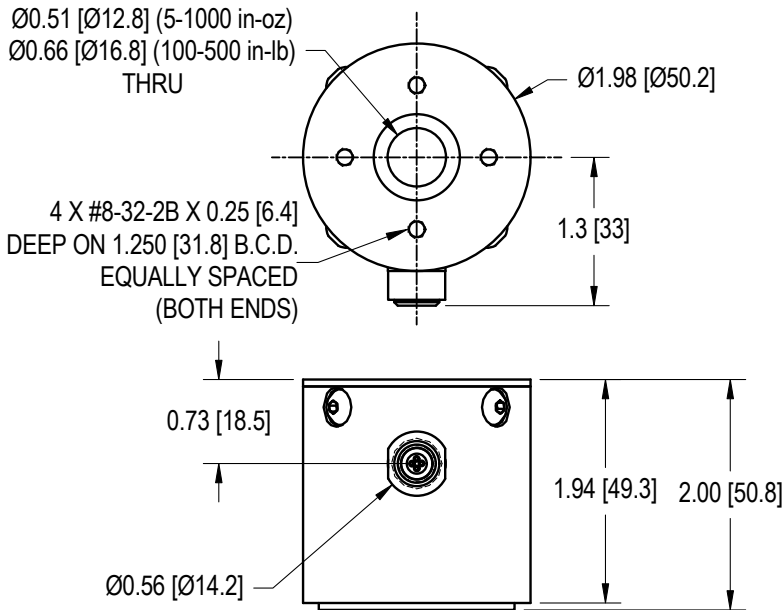


LEMO RECEPTACLE
EGG.0B.304.CLL
*MATING CONNECTOR
FGG.0B.304.CLAD35
(NOT INCLUDED)

S/N:



NOTE: UNIT WILL HAVE RED ANODIZED COVER AFTER MANUFACTURE DATE OF 01/15/2010



SPECIFICATIONS:

| | |
|--|---|
| RATED OUTPUT | 1 mV/V nom. (5 in-oz) 2 mV/V nom. (10 in-oz to 500 in-lb) |
| SAFE OVERLOAD | 300% (5 to 400 in-oz) 150% (1000 in-oz to 500 in-lb) |
| ZERO BALANCE | ±1% of R.O. (10 in-oz to 500 in-lb) ±2% of R.O. (5 in-oz) |
| EXCITATION (VDC OR VAC) | 18 MAX |
| BRIDGE RESISTANCE | 350 Ω nom. (5 to 1000 in-oz) 700 Ω nom. (100 to 500 in-lb) |
| NONLINEARITY | ±0.2% of R.O. |
| HYSTERESIS | ±0.2% of R.O. |
| NONREPEATABILITY | ±0.05% of R.O. |
| TEMP. SHIFT ZERO | ±0.002% of R.O./°F [0.0036% of R.O./°C] |
| TEMP. SHIFT SPAN | ±0.002% of LOAD/°F [0.0036% of LOAD/°C] |
| COMPENSATED TEMP. | 60 to 160°F [15 to 72°C] |
| OPERATING TEMP. | -60 to 200°F [-50 to 93°C] |
| WEIGHT | 9 oz [250 g] |
| MATERIAL | ALUMINUM |
| CONNECTOR: 4 Pin LEMO Receptacle (EGG.OB.304.CLL) | |
| ACCESSORIES AND RELATED INSTRUMENTS AVAILABLE | |
| CALIBRATION (STD) | 5 pt. CW; 60.4KΩ SHUNT CAL. VALUE (10 to 1000 in-oz) 100K Ω SHUNT CAL. VALUE (5 in-oz, 100 to 500 in-lb) |
| CALIBRATION (OPTIONAL) | 5pt. CCW |
| CALIBRATION TEST EXCITATION | 10 VDC |

| ITEM# | CAPACITY | | TORSIONAL STIFFNESS |
|----------|-----------|------|---------------------|
| | in-oz | Nm | in-oz/rad |
| FSH02587 | 5* | 0.04 | 325 |
| FSH02588 | 10* | 0.07 | 650 |
| FSH02589 | 20* | 0.14 | 1600 |
| FSH02590 | 50* | 0.35 | 3500 |
| FSH02592 | 160* | 1.1 | 11000 |
| FSH02593 | 400* | 2.8 | 30000 |
| FSH02594 | 1000 | 7.0 | 71000 |
| FSH02595 | 100 in-lb | 11 | 77000 in-lb/rad |
| FSH02596 | 200 in-lb | 22 | 95000 in-lb/rad |
| FSH02597 | 500 in-lb | 56 | 199000 in-lb/rad |

* WITH OVERLOAD PROTECTION
FOR HIGHER CAPACITIES REFER TO MODELS TFF600-750
AND TDF600-675