

LCB 20 – 50 – 75 – 100

- Designed for compression and tension measurements
- Predisposed to lateral loads withstand
- Excellent linearity and precision
- Overload capability greater than 300%
- Watertight protection for use in harsh environments
- Stainless steel AISI 17-4PH
- Robust MIL connector
- TEDS as option
- Compatible with AB20 and AB50
- Accessories as base plate, calotte and cable available



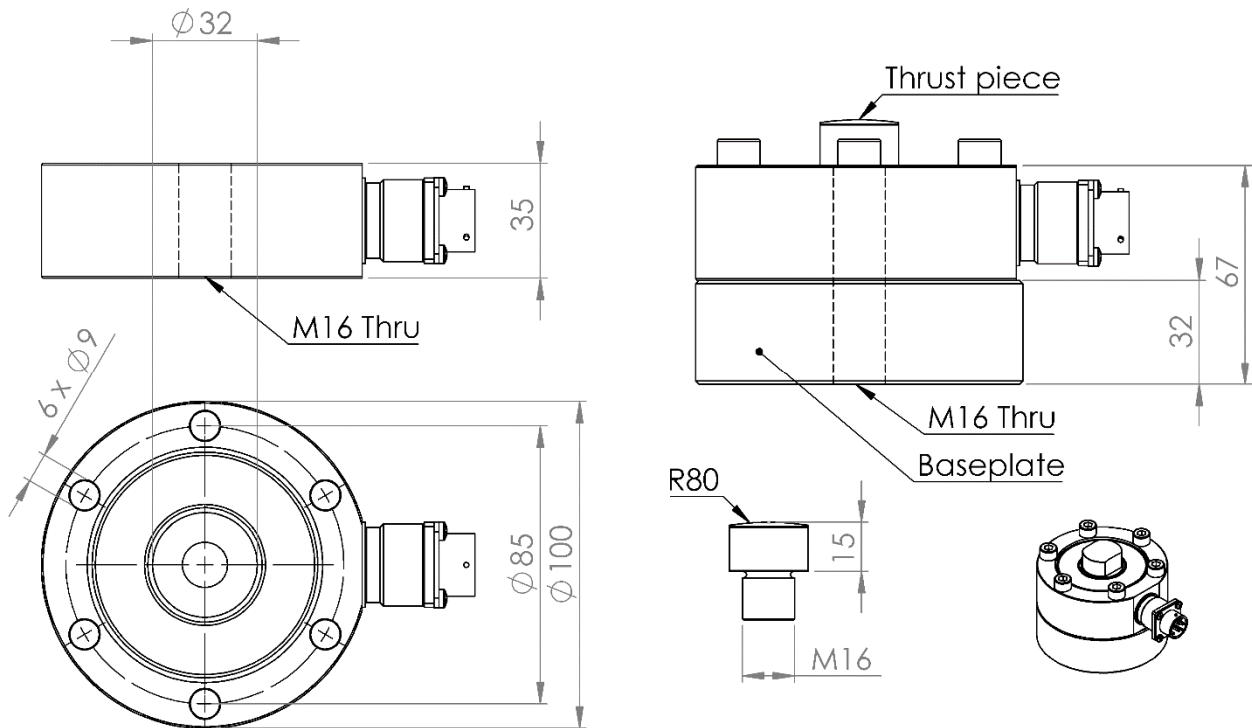
Technical Characteristics

| | |
|---|---------------------------------|
| Rated load (R.L.): | 20kN, 50kN, 75kN and 100kN |
| Error, tension or compression | 0.05% of R.O |
| Combined error, tension and compression | ±0.05% (0.1%) of R.O. |
| Repeatability: | ±0.04% of R.O. |
| Creep (20 minutes): | ±0.02% of R.L. |
| Safe overload: | 150% of R.L. |
| Ultimate overload: | > 300% of R.L. |
| Recommended input: | 2÷15 Vdc/Vac |
| Input resistance: | 700 ±20 Ohm |
| Output resistance: | 700 ±5 Ohm |
| Insulation resistance | > 5000 M Ohm |
| Rated output (R.O.): | 2.0 mV/V ±0.1 % |
| Zero balance: | < ±1.5% of R.O. |
| Temperature range: | -20 ÷ +70 °C |
| Compensated temperature range: | -10 ÷ +50 °C |
| Temp. effect (-10° to +50°C) on zero balance: | < ±0.005% of R.O./°C |
| Temp. effect (-10°C to +50°C) on output: | < ±0.005% on output/°C |
| Max load deflection: | 0.2 mm |
| Degree of protection: | IP65 |
| Material: | AISI 17-4PH stainless steel |
| Electrical connection: | 6 wires - with sense |
| Connector: | MIL-PT-02E-12-8P (MS3112E12-8P) |

Order Information

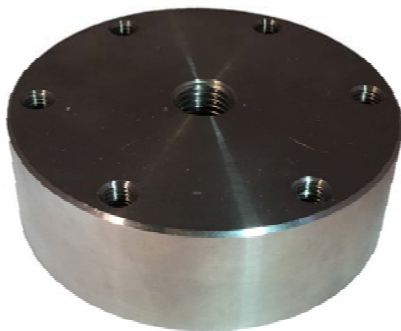
| Article no: | Type: | Capacity | Article no: | Type: | Capacity |
|-------------|--------|---------------|-------------|---------|----------------|
| 01-62020 | LCB-20 | Capacity 20kN | 01-62050 | LCB-50 | Capacity 50kN |
| 01-62075 | LCB-75 | Capacity 75kN | 01-62100 | LCB-100 | Capacity 100kN |

Dimensions



Also available as 3D drawing, please contact us for further information.

Accessories



Article no: 01-62901
Baseplate BP20-100 M16



Article no: 01-65103
Cable, PVC, 3m with free soldered ends and socket, MS3116F-12-8S



Article no: 01-62905
Thrust piece/Load button LB20-100 M16

OUTPUTS

SGA/A

Analog signal conditioner
w/ 3m cable
Art.no: 01-66105



Selectable output
0-5V, 0-10V
0-20mA, 4-20mA
±5V or ±10V

Cable 3m PVC 6 x 0,14mm²
MS3116 - free soldered ends
Art.no: 01-65103



T24-ACmi

Wireless transmitter
w/ 0.5m cable
Art.no: 01-66110



DISPLAYS

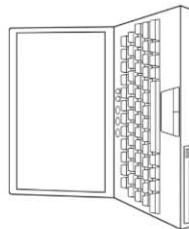
PSD

Handheld display
w/ 3m cable
Art.no: 01-66100



T24-Bsd

Wireless USB Dongle
Art.no: 01-66115



T24-HS

Wireless handheld display
Art.no: 01-66120



Loadcell.
See order information
for art.no.

