

FUTEK MODEL MAU300

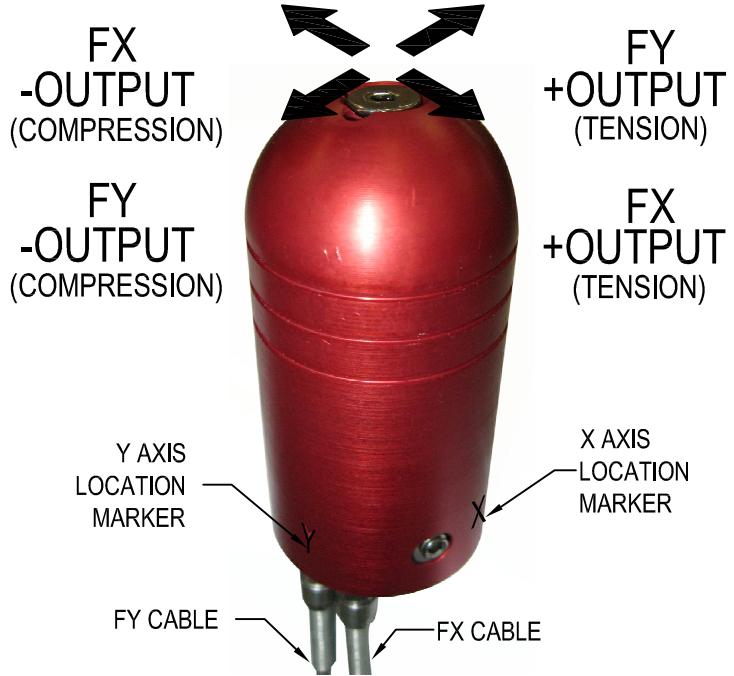
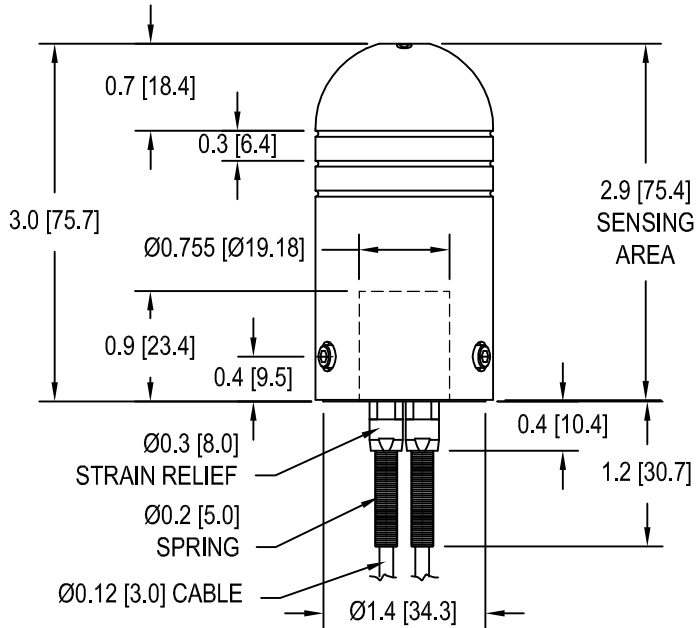
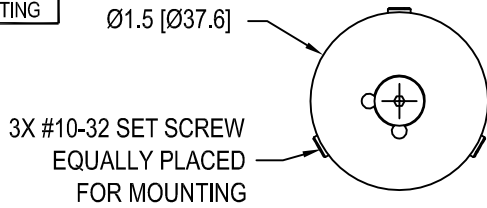
STICK SHIFT / GEAR SHIFT KNOB LOAD CELL PREVIOUSLY MODEL L1070

Drawing Number: FI1035-B

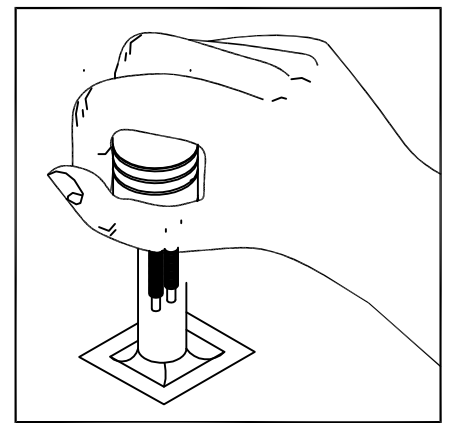
INCH [mm] | R.O.= Rated Output

WIRING CODE (WC 1)

+Excitation	-Excitation	+Signal	-Signal
RED	BLACK	GREEN	WHITE
Shield			
FLOATING			



STICK SHIFT APPLICATION



GEAR SHIFT ADAPTER ACCESSORIES

MATERIAL: CLEAR ANODIZED ALUMINUM

ITEM #	'A'
MCP01427	5/16-18
MCP01428	3/8-16
MCP01429	3/8-24
MCP01430	1/2-20
MCP01431	M8x1.25
MCP01432	M10x1.25
MCP01473	M12x1.25

SPECIFICATIONS:

RATED OUTPUT	2 mV/V nom.
SAFE OVERLOAD	150% of R.O.
ZERO BALANCE	±1% of R.O.
EXCITATION (VDC OR VAC)	20 MAX
BRIDGE RESISTANCE	350Ω nom.
NONLINEARITY	±0.25% of R.O.
NONREPEATABILITY	±0.25% of R.O.
TEMP. SHIFT ZERO	±0.02% of R.O./°F [0.036% of LOAD/°C]
TEMP. SHIFT SPAN	±0.02% of LOAD/°F [0.036% of LOAD/°C]
COMPENSATED TEMP.	60 to 160°F [15 to 72°C]
OPERATING TEMP.	-40 to 160°F [-40 to 72°C]
WEIGHT	9 oz [255 g]
MATERIAL (COVER)	ALUMINUM, RED ANODIZE AFTER S/N:305853
CABLE: 2) 28 AWG, 4 Conductor Braided Shielded PVC Cable, 10 ft [3m] long	
CALIBRATION (STANDARD)	5pt. TENSION, 60.4 KΩ SHUNT CAL. VALUE
CALIBRATION (AVAILABLE)	5pt. COMPRESSION

ITEM #	CAPACITY	
	lb	N
FSH00941	10	45
FSH00942	25	111
FSH00943	50	222
FSH00944	100	445
FSH01985	200	890



This drawing is submitted solely for the information and exclusive use of the original addressee. It is not to be divulged in whole or in part, by any firm or individual without written permission from FUTEK
CAGE CODE # 1X8M6

10 THOMAS
IRVINE, CA 92618 USA
1-800-23-FUTEK (38835)

INTERNET:
<http://www.futek.com>