

## Description

LISAB-SPT1 pressure transducer is piezoresistive pressure transducer by using piezoresistive sensing element based on advanced MEMS technology, suitable for the measurement of gauge pressure, vacuum pressure, absolute pressure and sealed gauge pressure. This product has such features as wide measuring ranges, good long term stability and excellent flexibility.

LISAB-SPT1 pressure transducer is now widely used in many industries and laboratories for pressure measurement and control of various fluids.

## Features

- Using MEMS silicon pressure dies
- High accuracy, stability and reliability
- Automatic testing, laser trimming compensating zero and sensitivity in wide temperature range
- Compact size, light weight and high frequency response
- Constant current or constant voltage power supply

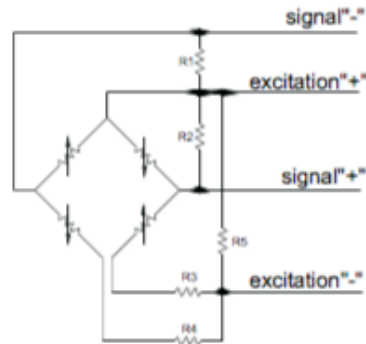


## Specifications

pressure medium	virous gases and liquids compatible to stainless steel
pressure ranges	-1...0bar~0.2...600bar
pressure type	gauge(G), absolute(A), sealed gauge(S)
overload pressure	150%FS
output signal	≥70mV (0~20kPa, ≥50mV)
accuracy	0.1%FS, 0.25%FS(standard), 0.5%FS
zero offset	<2mV
long-term stability	<0.2%FS/year
excitation	1.5mA or 10VDC
compensated temperature range	0~60°C
operating temperature range	-10~80°C
storage temperature range	-40~100°C
temperature coefficient of zero	0.02%FS/°C
temperature coefficient of span	0.02%FS/°C
input/output resistance	2~6kΩ
insulation resistance	100MΩ@50VDC
response time	≤1ms
process connection	M20×1.5 or others
electrical connection	hirschmann connector or others
material of wetted part	1Cr18Ni9Ti
material of pressure membrane	316L
material of housing	1Cr18Ni9ti

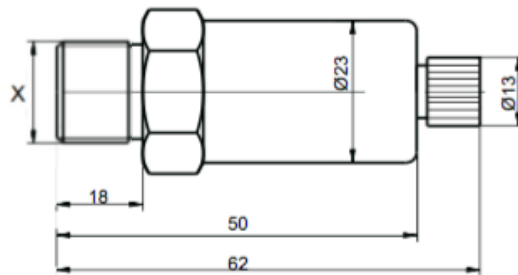
Electrical Connection

connection	cable color
excitation "+"	red
excitation "-"	black
signal "+"	green
signal "-"	white



note: please refer to the user manual for the actual wiring

Dimensions



Ordering Code

Lisab-SPT1	
range	pressure range: -1bar...0~0.2...600bar
(0~X)bar	X: required measuring range
code	pressure type
G	gauge
A	absolute
S	sealed gauge
code	accuracy
B	0.1%FS
C	0.25%FS
D	0.5%FS
code	process connection
P1	G1/4
P4	M20×1.5
P6	M12×1
Pz	customer request
code	electrical connection
E1	hirschmann connector
E2	aviation connector
E3	KSS connector
Ez	customer request
code	power supply
S1	1.5mA
S2	10VDC
SPT1	(0~20)bar G D P1 E2 S2