



4-channel analogue acquisition

µCAN.4.ai-BOX

4-channel analogue acquisition for current or voltage signals

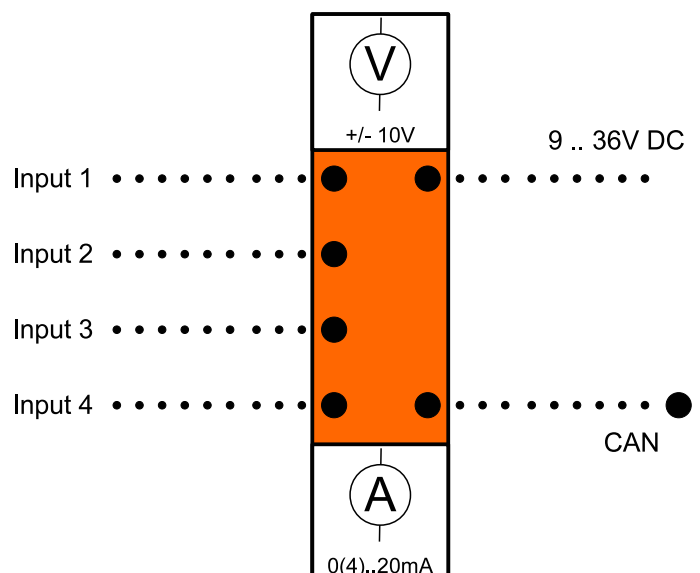
The µCAN.4.ai-BOX is the extended universal instrument for the acquisition of standard analogue signals. The unit is designed to measure +/-10 V and 0(4) ... 20 mA signals with an 800 Hz overall sampling rate.

The sensor signals are evaluated and linearized in a rugged die-cast aluminium casing. The data is transmitted to the central evaluation unit via CAN bus.



Features

- Acquisition of up to four analogue inputs at a resolution of up to 24-bits for standard ± 10 V, 0-20 mA and 4-20 mA signals
- Standard protocol: CANopen CiA 404
- Die-cast aluminium casing in protection class IP66, ideally suitable for heavy-duty industrial applications
- Indication of device status by two bi-colour LEDs
- Anti-aliasing filter
- Module monitored by heartbeat function
- Automatic startup



Junkersring 23
53844 Troisdorf
Germany

Tel +49 - 2241 - 25 65 9 - 0
Fax +49 - 2241 - 25 65 9 - 11

info@microcontrol.net
www.microcontrol.net

| Technical Data | Analogue acquisition μ CAN.4.ai-BOX |
|--|---|
| Number of channels | 4 |
| Power supply voltage | 9...36 V DC, reverse polarity protected |
| Power consumption | 2 W (84 mA @ 24 V DC) |
| Electrical isolation | channels/control voltage: 500Veff, fieldbus/control voltage: 500Veff |
| Operating temperature | -40°C...+85°C (others on request) |
| Transfer rate | 50 kBit/sec to 1 MBit/sec |
| Protocol | CANopen CiA 404 / Custom CAN / CAN 2.0A and 2.0B |
| Number of PDOs (CANopen) | 2 transmit PDOs |
| Configuration | Bit rate and module address via DIP switches or via LSS |
| Status display | 2 bi-colour LED for module status information |
| Protection class | IP66 |
| Casing | Die-cast aluminium 125x57x80mm (LxWxD) |
| EMC | complies with EN 50082 |
| Signal type / Measurement error @ 23°C ambient temperature | + /-10 V DC accuracy 0.01% FS, input resistance 500 kOhms 0-20 mA accuracy 0.01% FS, input impedance 50 Ohms 4-20 mA accuracy 0.01% FS, input impedance 50 Ohms |
| Resolution | Ausgabewert $\Delta U = 1 \text{ mV} / \Delta I = 1 \mu\text{A}$ |

| Order No. | Description |
|-----------|---|
| 12.44.003 | μ CAN.4.ai-BOX / Voltage / 16-bit 4-channel analogue signal acquisition module with CANopen, signal type +/- 10 V DC , 16-bit resolution, designed for metric cable glands, connection via screw terminals. |
| 12.45.003 | μ CAN.4.ai-BOX / Current / 16-bit 4-channel analogue acquisition module with CANopen, signal type 0(4)..20mA , 16-bit resolution, designed for metric cable glands, connection via screw terminals. |
| 12.46.003 | μ CAN.4.ai-BOX / Voltage / 24-bit 4-channel analogue signal acquisition module with CANopen, signal type +/- 10 V DC , 24-bit resolution designed for metric cable glands, connection via screw terminals. |
| 12.47.001 | μ CAN.4.ai-BOX / Current / 24-bit 4-channel analogue acquisition module with CANopen, signal type 0(4)..20mA , 24-bit resolution, designed for metric cable glands, connection via screw terminals |
| 90.01.114 | Metric cable installation kit for 4-channel modules. |